

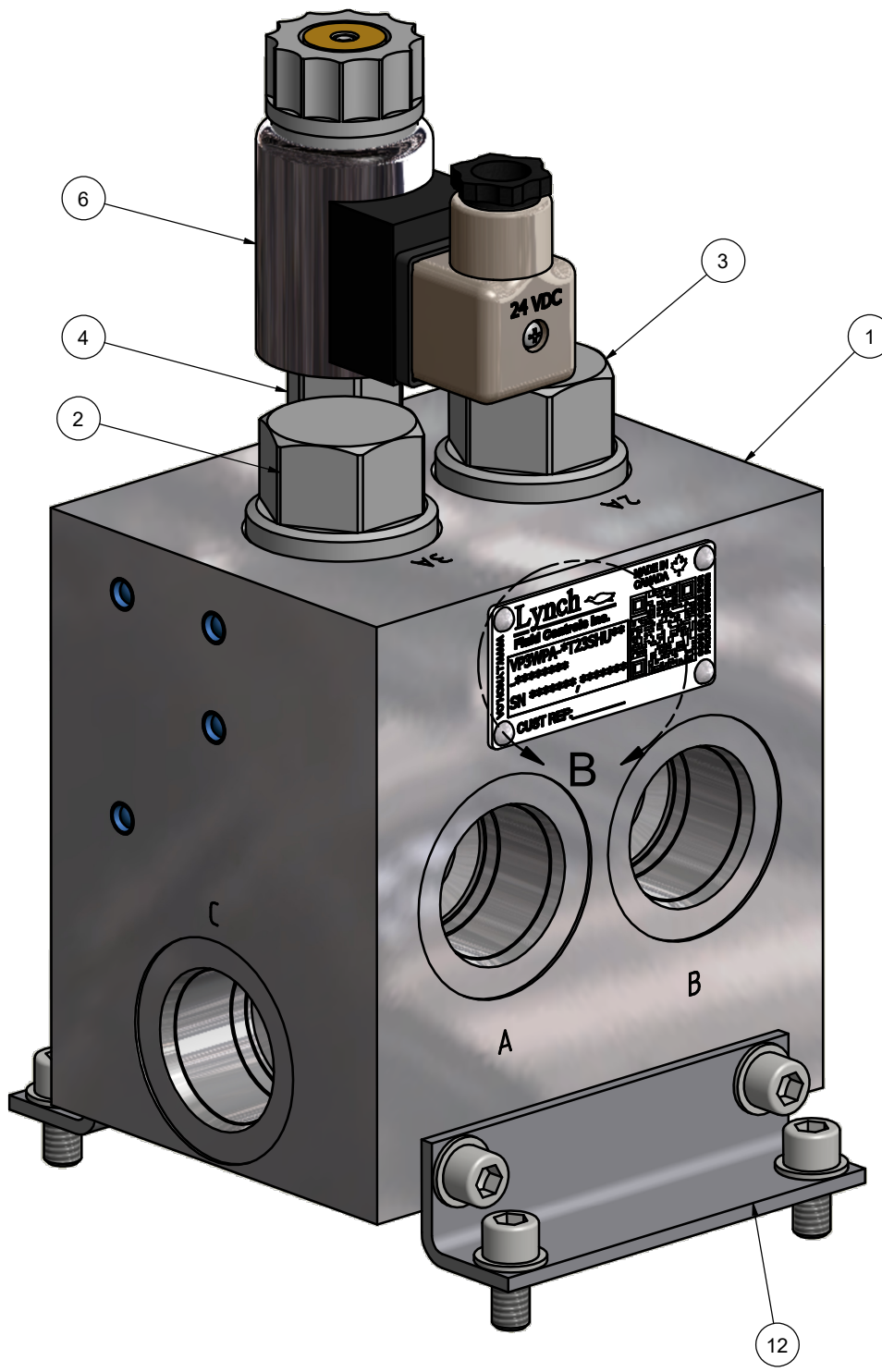
# VP3WPA-DT23SHUA1-XCDN28DS

DWG NO VP3WPA-DT23SHU1003

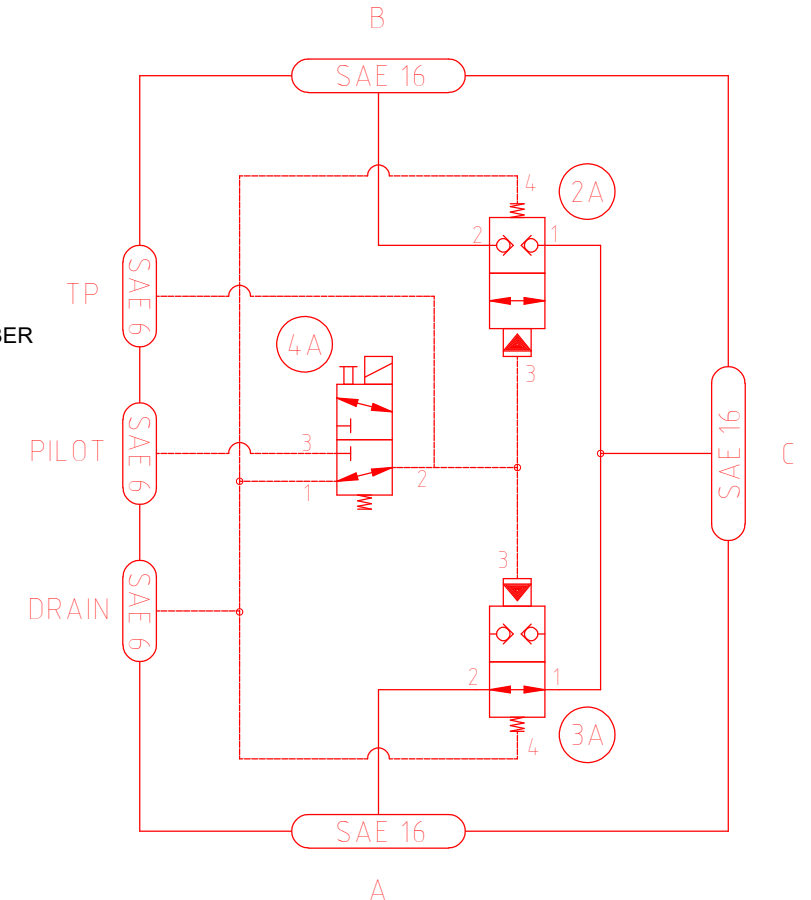
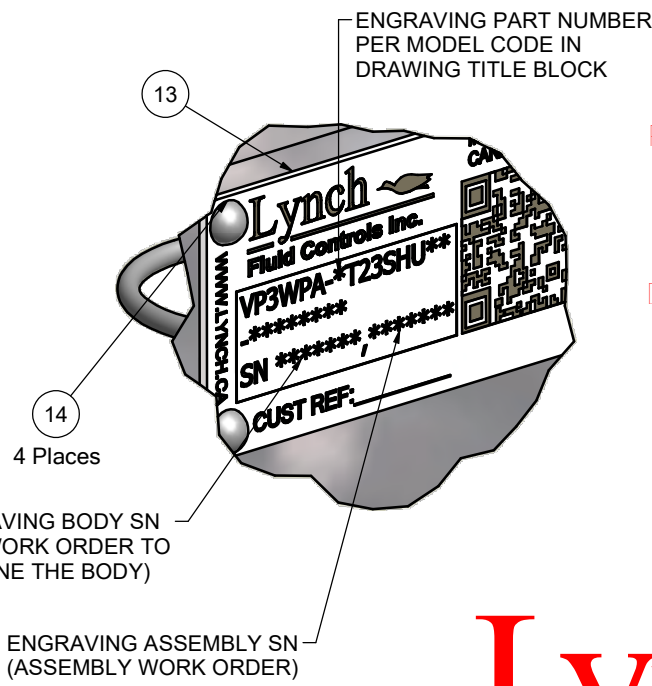
DRAWN zficyk	18/12/2012	SIZE C	DWG NO VP3WPA-DT23SHU1003	REV A1
CHECKED Radu Constantinescu	26/12/2012	MODEL CODE VP3WPA-DT23SHUA1-XCDN28DS		
REF:		TITLE 3 Way Selector, Ductile Iron Body, CD Type, Solenoid Operated 28 VDC Coil, Buna-N Seals		
DIMENSION TOLERANCES UNLESS OTHERWISE SPECIFIED .x = +/- .030 .xx = +/- .015 .xxx = BASIC O RING DP +/- .002 GROOVE DIA +/- .010 S'FACE DIA +/- .005 ANGULAR +/- 1/2 deg FINISH 80 MICRON REMOVE ALL BURRS		GD&T CLASS: 011 INCH		
3RD Angle Projection		Template Path: Vault\Libraries\Controlled Documents\Engineering\Inventor\DWG\Borders\Assembly.IDW Form Date: Sep 3, 2008 ES-10023 Issued 2008/10/01   MDTTools Version 229 Issued 2012/03/06		

65-45-12 Ductile Iron Bare : 4.00 x 5.00 x 5.25

Bill of Material			
ITEM	QTY	PART NUMBER	DESCRIPTION
1	1	VP3WPA-DT23SHU0002	3 Way Selector Body with Plugs
2	1	A012 01D F03	Normally Closed, Pilot-to-Open Logic Element, 60 GPM, T-23A
3	1	A012 02D F03	Normally Open Logic Element, Pilot-to-Close, Poppet, T-23A, 60 GPM
4	1	A009 12D F03	2-Position, 3-Way Solenoid Valve, T-11A, Buna
6	1	770 228	28vDC Coil for Full Flow & Prop. Valves
10	1	S18211TC421	2 PIN + GRD DIN, w/ LED & VDR, 24Vdc
12	1	MK 400 U	4" Mounting Kit with (8) 5/16"-18 x.625" SHCS, (8) ITL Washers, (2) Brackets, Loose Shipping
13	1	TAG-6-125x250-0001-05	Name Tag 1.25" W x 2.50" L, SS
14	4	DSOH SS # 4X0250	Drive Screw, 18-8 Stainless Steel, 0.116" diameter, 1/4" long, for Hole size 0.104"



### DETAIL B



**PROPRIETARY NOTICE**  
This Drawing describes a Proprietary Product of Lynch Fluid Controls Inc. which may not be reproduced in whole or in part nor given to a third party without written permission from Lynch Fluid Controls Inc.



1799 Argentia Rd.  
Mississauga, Ontario  
Canada L5N 3A2  
Phone : 1 905 363 2400  
Phone : 1 888 626 4365  
Fax : 1 905 363 1192  
www.lynch.ca

DWG NO VP3WPA-DT23SHU1003

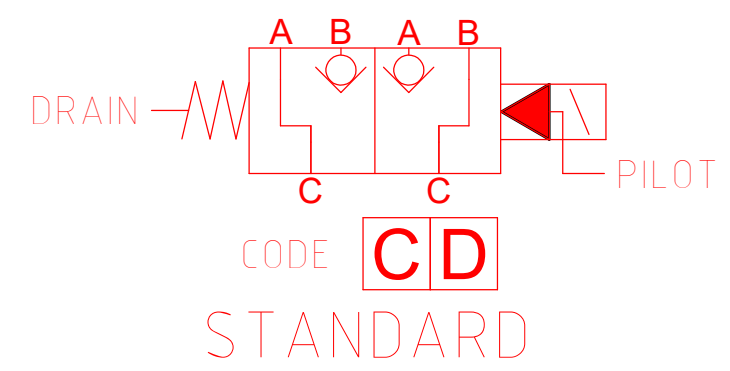


DWG NO	VP3WPA-DT23SHU1003	REV	A1
MODEL CODE	VP3WPA-DT23SHUA1-XCDN28DS		
TITLE	3 Way Selector, Ductile Iron Body, CD Type, Solenoid Operated 28 VDC Coil, Buna-N Seals		

**PROPRIETARY NOTICE**  
 THIS DRAWING DESCRIBES A PROPRIETARY PRODUCT OF LYNCH FLUID CONTROLS INC. WHICH MAY NOT BE REPRODUCED IN WHOLE OR IN PART NOR GIVEN TO A THIRD PARTY WITHOUT WRITTEN PERMISSION FROM LYNCH FLUID CONTROLS INC.

DATA UNIT: INCH 3RD ANGLE PROJECTION

Simplified Schematic



SYSTEM PRESSURE: 5000 PSI MAX.  
 SYSTEM FLOW: 60 GPM MAX.

