

On/Off Control Plug LE 7043

AS9100C & ISO 9001:2008 Certified

Function

The Lynch On/Off Control Plug controls a coil by low-current voltage command, providing consistent valve response times and reduced de-energizing times when compared to switching relays.

Features and Benefits

- ▶ Consistent valve response time.
- ▶ Reverse polarity protected.
- ▶ Short circuit protected.
- ▶ LED indicator for ON operation.
- ▶ Mounts directly on solenoid Type A EN 175301-803 (DIN 43650) / ISO 4400.

Specifications:

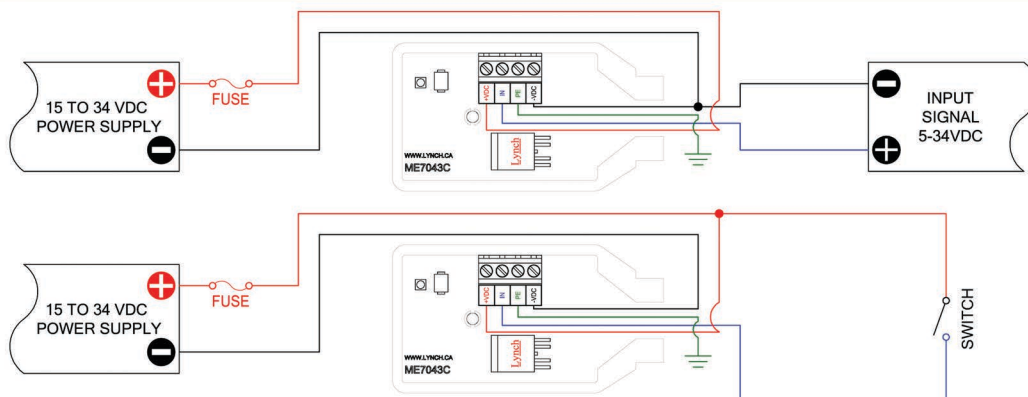
- ▶ Rated Output Current: 2.3 A
- ▶ Operating Voltage: 15-34 VDC
- ▶ Input Signal*: 5-34 VDC
- ▶ Input Impedance: 5 kOhm
- ▶ Environmental Protection**: IP67
- ▶ Short Circuit Protection: Yes
- ▶ Reverse Polarity Protection: Yes

* (must not be higher than the supply voltage)

** (4-8 mm diameter round cable must be used)



Wiring Diagram



Contact Us For More Information

Local & International
P 1 (905) 363-2400
F 1 (905) 363-1191

Toll Free
P 1 (888) 626-4365
F 1 (800) 263-5807

Online
www.Lynch.ca
sales@lynch.ca

Canada
1799 Argentia Road
Mississauga, Ont.
L5N 3A2

USA
3790 Commerce Court
Suite 500, North
Tonawanda, NY, 14120